

Computer Science CSCI 261

Computer Architecture and Assembly Language

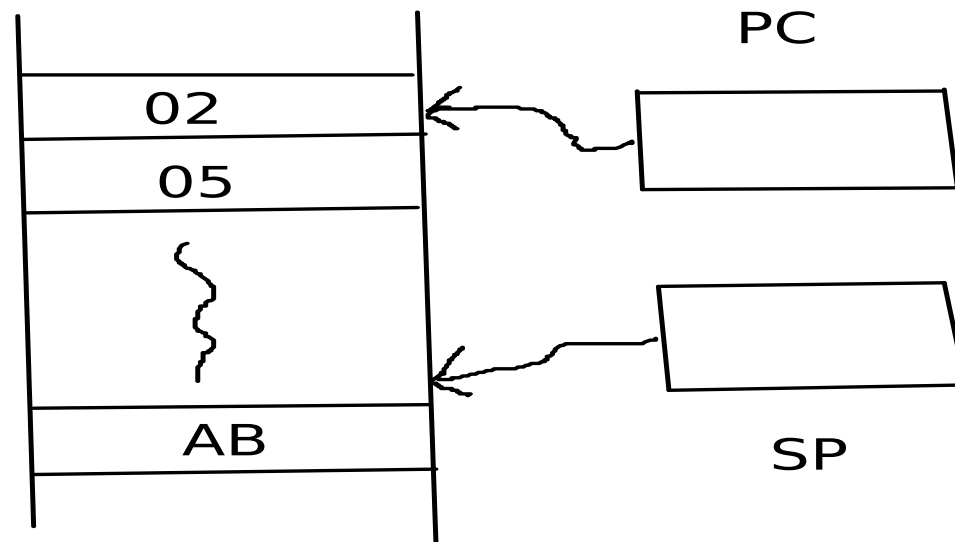
Dr. Peter Walsh
Department of Computer Science
Vancouver Island University
peter.walsh@viu.ca

SSBC ISA

- Data Movement
 - pushimm pushext
 - popinh popext
- Data Transformation
 - add
 - sub
 - nor
- Conditional
 - jnz
 - jnn
- Miscellaneous
 - noop
 - halt

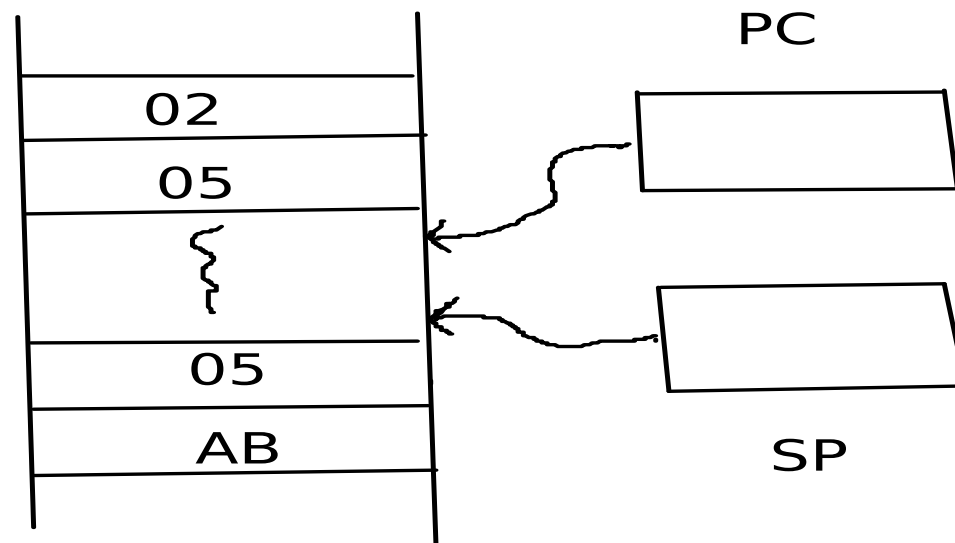
SSBC ISA cont.

- before executing `pushimm 05`



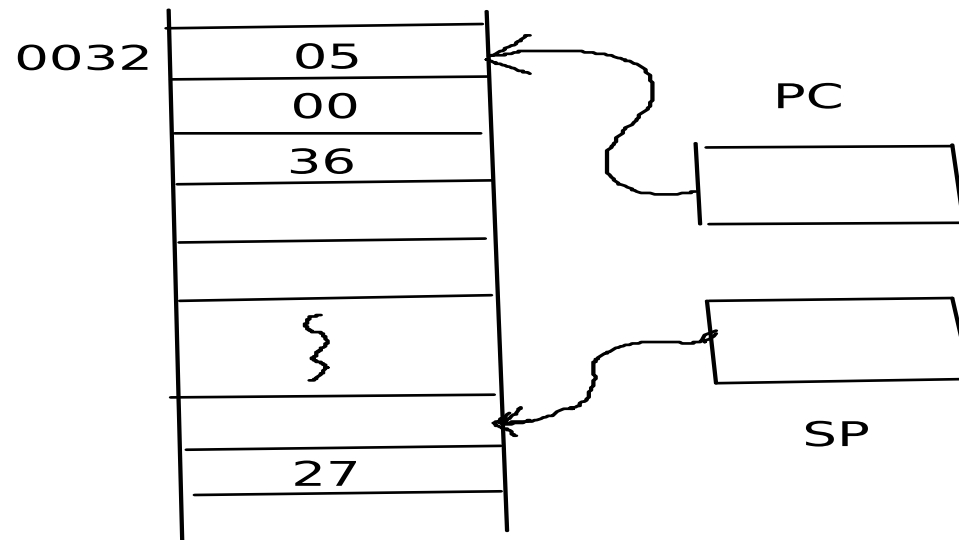
SSBC ISA cont.

- after executing `pushimm 05`



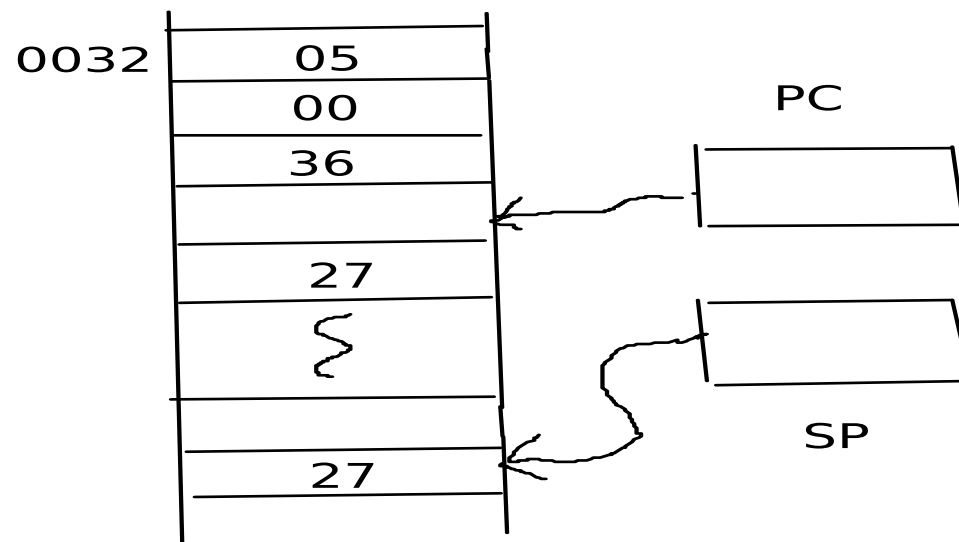
SSBC ISA cont.

- before executing `popext 0036`



SSBC ISA cont.

- after executing popext 0036



SSBC ISA Specification

- Data Flow Diagram
- Abstract Register Transfer Notation (ARTN)
- Test Plan and Test Implementation